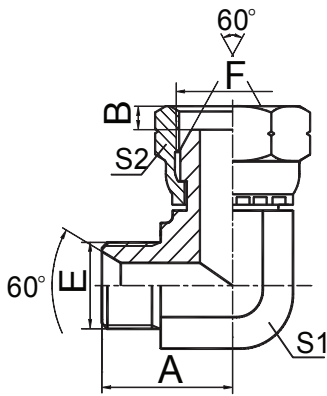


# 过渡接头 ADAPTER



## 2B9

90° 弯英管外螺纹60°内锥 / 英管内螺纹60°外锥  
 90° ELBOW BSP MALE 60° SEAT / BSP FEMALE 60° CONE

代号 PART NO.	螺纹 THREAD		尺寸 DIMENSIONS					
	E	F	A	B	S1	S2		
2B9-02	G1/8"X28	G1/8"X28	19.8	5.5	11	14		
2B9-04	G1/4"X19	G1/4"X19	24.5	5.5	14	19		
2B9-04-06	G1/4"X19	G3/8"X19	25	6.3	14	22		
2B9-06	G3/8"X19	G3/8"X19	27.5	6.3	16	22		
2B9-06-04	G3/8"X19	G1/4"X19	27.5	5.5	16	19		
2B9-08	G1/2"X14	G1/2"X14	34.5	7.5	22	27		
2B9-08-06	G1/2"X14	G3/8"X19	34.5	6.3	22	22		
2B9-10	G5/8"X14	G5/8"X14	35	9.5	22	30		
2B9-10-08	G5/8"X14	G1/2"X14	35	7.5	22	27		
2B9-12	G3/4"X14	G3/4"X14	40	10.9	27	32		
2B9-16	G1"X11	G1"X11	46	11.7	33	41		
2B9-20	G1.1/4"X11	G1.1/4"X11	50.5	11	41	50		
2B9-24	G1.1/2"X11	G1.1/2"X11	57.5	13	48	55		
2B9-32	G2"X11	G2"X11	72.5	16	63	70		