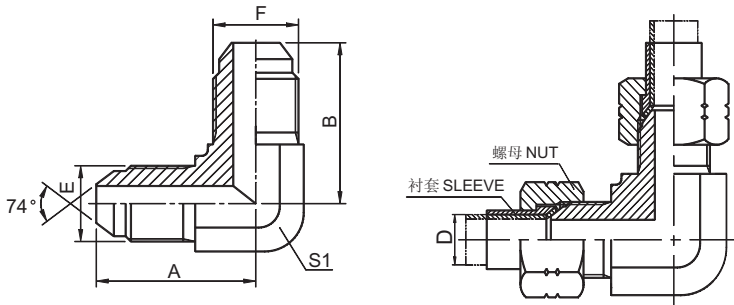


# 过渡接头 ADAPTER



90° 弯美制 JIC 外螺纹 74° 外锥  
90° ELBOW JIC MALE 74° CONE

## 1J9

代号 PART NO.	螺纹 THREAD		尺寸 DIMENSIONS						
	E	F			A	B	S1		
1J9-02	5/16"X24	5/16"X24			20.5	20.5	11		
1J9-03	3/8"X24	3/8"X24			22	22	11		
1J9-04	7/16"X20	7/16"X20			24.5	24.5	11		
1J9-05	1/2"X20	1/2"X20			26.6	26.6	14		
1J9-05-06	1/2"X20	9/16"X18			26.6	26.9	14		
1J9-06	9/16"X18	9/16"X18			26.9	26.9	14		
1J9-06-08	9/16"X18	3/4"X16			30	32	19		
1J9-06-10	9/16"X18	7/8"X14			32	37.8	22		
1J9-08	3/4"X16	3/4"X16			32	32	19		
1J9-08-10	3/4"X16	7/8"X14			34.8	37.8	22		
1J9-10	7/8"X14	7/8"X14			37.8	37.8	22		
1J9-10-12	7/8"X14	1.1/16"X12			41	44.2	27		
1J9-12	1.1/16"X12	1.1/16"X12			44.2	44.2	27		
1J9-14	1.3/16"X12	1.3/16"X12			47.5	47.5	30		
1J9-16	1.5/16"X12	1.5/16"X12			49	49	33		
1J9-20	1.5/8"X12	1.5/8"X12			55.5	55.5	41		
1J9-24	1.7/8"X12	1.7/8"X12			62.5	62.5	48		
1J9-32	2.1/2"X12	2.1/2"X12			78	78	63		

注：螺母及衬套需另行订货。管子直径 D 为公制时，配用螺母及衬套分别选用 NB200、NB500。管子直径为英制时，配用螺母及衬套分别选用 NB200、NB300。Note: Nut and sleeve should be ordered separately. The nut NB200 and sleeve NB500 is suitable for metric tube, the nut NB200 and sleeve NB300 is suitable for inch tube.